



CHILD CRAFT INDUSTRIES, INC.

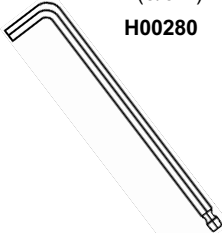
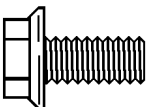

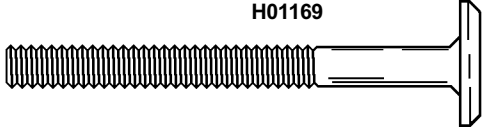

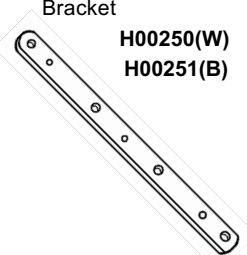
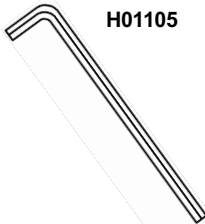

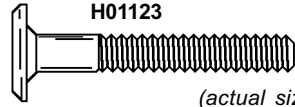
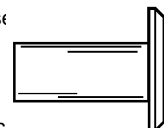

P.O. Box 444, Salem, IN USA 47167-0444

PH: 812-883-3111 - FAX: 812-883-1819 - <http://www.childcraftind.com>

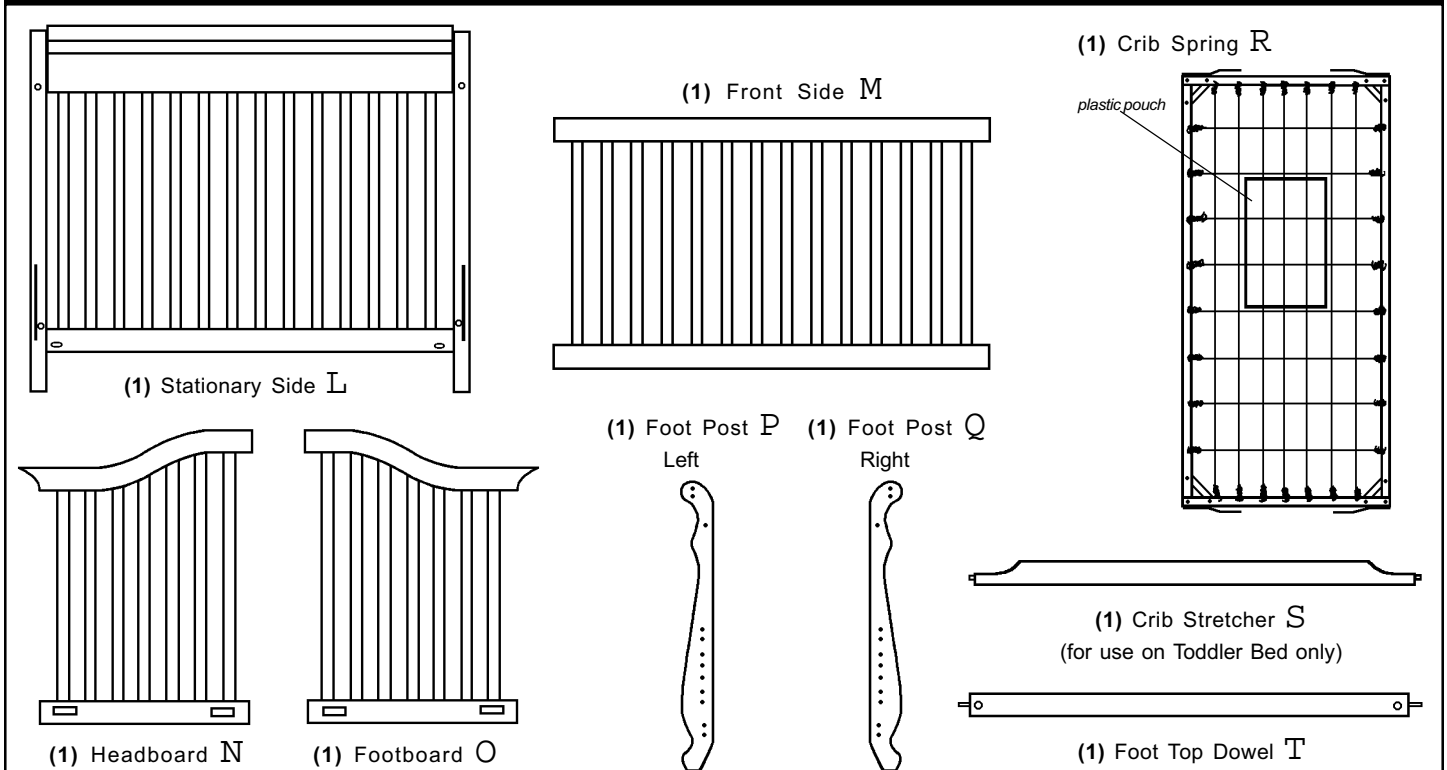
ASSEMBLY DIRECTIONS AND PARTS LIST

- READ ALL INSTRUCTIONS WITH CARE BEFORE STARTING THE ASSEMBLY PROCEDURE.
- YOU WILL NEED A #2 PHILLIPS SCREWDRIVER, A STANDARD SLOTTED SCREWDRIVER, A 3/8" (10mm) WRENCH, AND THE ENCLOSED ALLEN WRENCHS (A & H).

PARTS ENCLOSED IN HARDWARE BAG (NOTED WHEN SHOWN ACTUAL SIZE)

<p>A (1) Allen Wrench (5/32") H00280</p> 	<p>B (4) Hexhead Machine Screw H00254 <i>(actual size)</i></p> 	<p>C (8) K-D Bolt Plugs H00109 <i>(actual size)</i></p> 	<p>D (4) H01169</p> 
<p>F (6) Phillips Head Machine Screw H00122 <i>(actual size)</i></p> 	<p>G (2) 4-Position Spring Bracket H00250(W) H00251(B)</p> 	<p>H (1) Allen Wrench (5mm) H01105</p> 	<p>E (4) H01168</p> 
			<p>I (4) Allenhead Bolts H01123 <i>(actual size)</i></p>  <p>J (4) Insr H00136 <i>(ac</i></p>  <p>K (4) Hole Button Covers H00956 <i>(actual size)</i></p> 

PARTS ENCLOSED IN CARTON



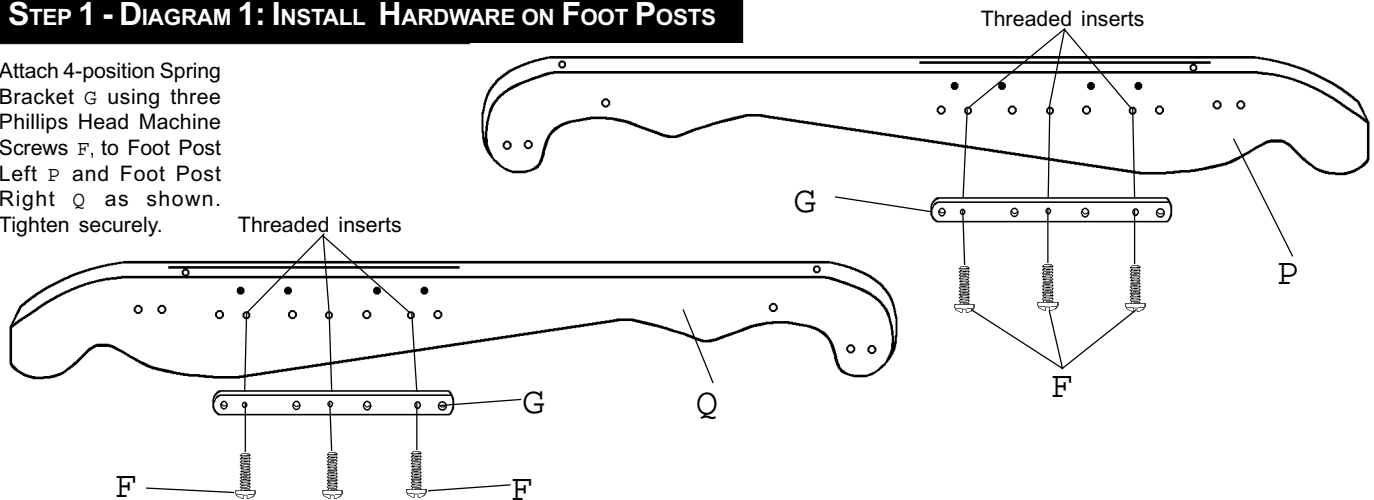
PREPARATION

Carefully remove and lay out all hardware and parts. Check quantities and match the Hardware List and the Parts List. **NOTE:** During the assembly process whenever using screws or bolts, check each with the Hardware List by letter and size identification. Place each screw or bolt on the diagram of the item which is sketched actual size. Be sure to use the proper size specified in the assembly directions. If a part is missing or broken contact your Child Craft dealer or Child Craft, P.O. Box 444, Salem, IN 47167-0444 USA, 812-883-3111, for replacement part(s) or instructional literature. Before making this contact identify your Crib'n'Double Bed by the model identification number stamped on the label attached to the inside face of Footboard or bottom rail. Make note of all identification numbers and include this information with your request. **DO NOT SUBSTITUTE PARTS!**

Record your model identification number here for future identification: **Model #** _____

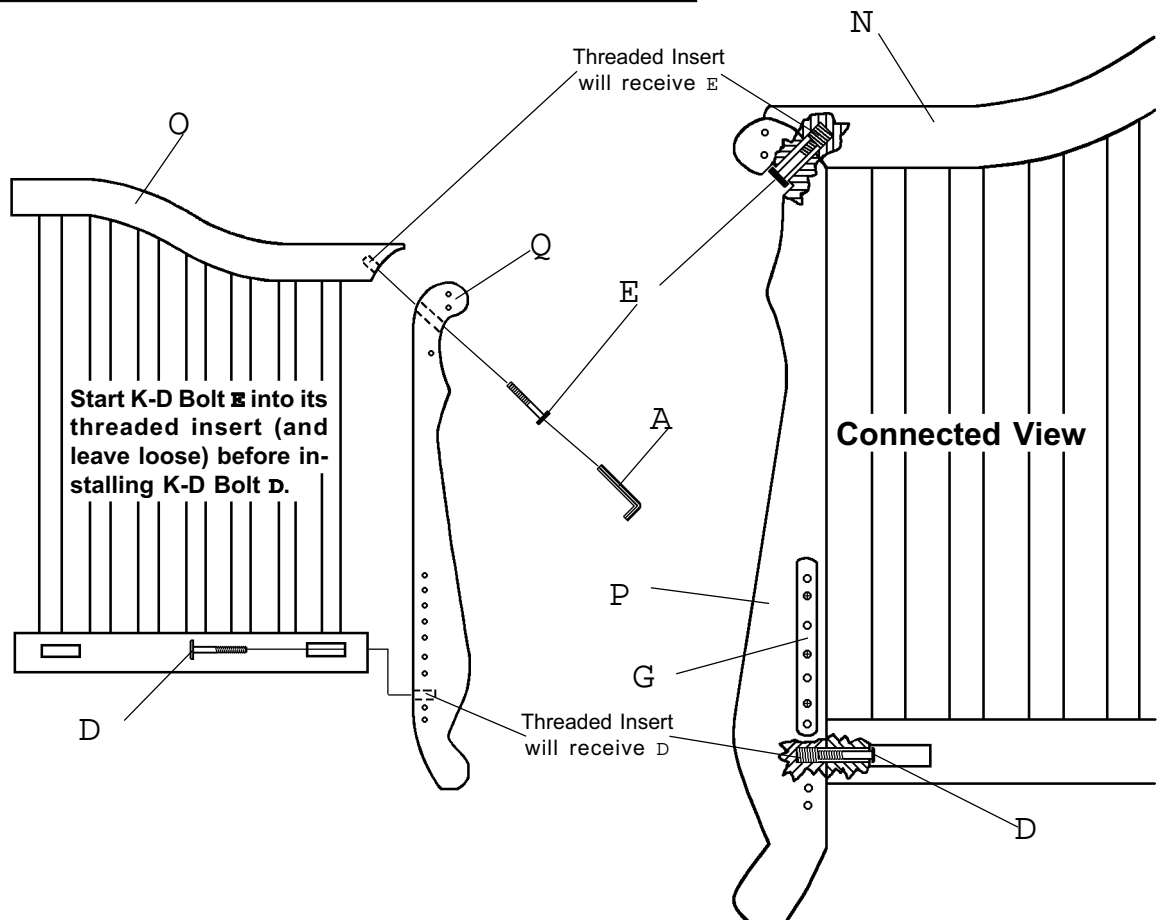
STEP 1 - DIAGRAM 1: INSTALL HARDWARE ON FOOT POSTS

Attach 4-position Spring Bracket G using three Phillips Head Machine Screws F, to Foot Post Left P and Foot Post Right Q as shown. Tighten securely.



STEP 2 - DIAGRAM 2: ATTACH FOOT POSTS TO FOOTBOARD AND HEADBOARD

Attach Foot Post Q to Footboard O as shown. Lay both pieces horizontal on a soft surface (carpet) and start by inserting K-D Bolt E through its receiving hole in Foot Post Q and into the factory installed threaded insert in Footboard O. Start threads three or four turns using Allen Wrench A. **Do not fully tighten at this time.** Insert K-D Bolt D through the receiving hole located in the rectangular rout and into the threaded insert (factory installed in both Foot Posts Q & P). Once K-D Bolts D & E are properly aligned and both are started into their threaded inserts, tighten both securely using Allen Wrench A. Follow the same procedure for attaching Foot Post P to Headboard N. Insure all K-D Bolts are tightened securely before continuing with next step.



STEP 3 - DIAGRAM 3: ASSEMBLE CRIB

Attach Headboard Assembly (G, N & P) and Footboard Assembly (G, O & Q) to Stationary Side L as shown. Follow Diagram 3 closely. Attach components at top using K-D Bolts E and K-D Bolt Plugs C. Insert K-D Bolts E into receiving holes in the Stationary Side L and into receiving holes in Headboard N & Footboard O. Keep K-D Bolts E out just far enough to allow K-D Bolt Plug C to be fully inserted into their receiving holes. Align the threaded hole in K-D Bolt Plug C with the threads on K-D Bolt E. Tighten four or five revolutions but **do not fully tighten at this time**.

Install K-D Bolts D into their Factory Installed Threaded Inserts at bottom using the same methods you used during Step 2. Tighten all K-D Bolts (D & E) at this time.

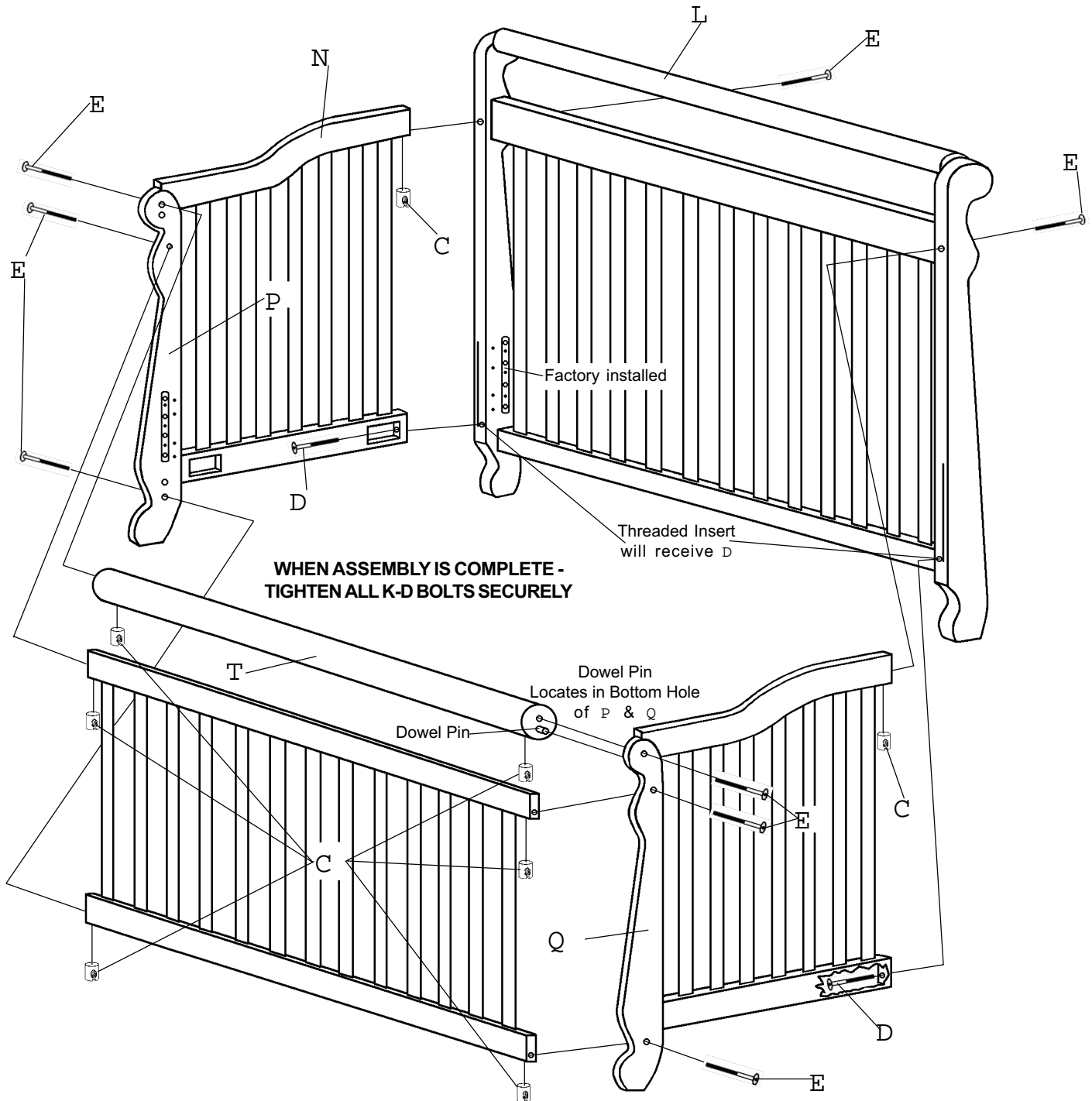
STEP 4

Install Foot Top Dowel T as shown. Start K-D Bolts E into K-D Bolt Plugs C but do not tighten completely at this time.

Attach Front Side M to Footpost Right Q and Footpost Left P.

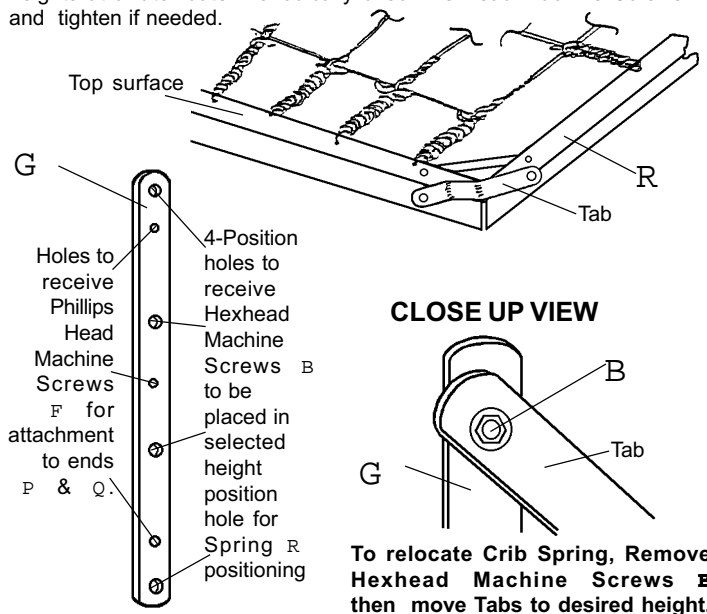
Insert K-D Bolts E into receiving holes in Footposts P & Q and into receiving holes in Front Side M. Insert K-D Bolt Plugs C into their receiving holes aligning the threaded hole with the threads on K-D Bolt E.

Tighten all K-D Bolts (D & E) at this time.



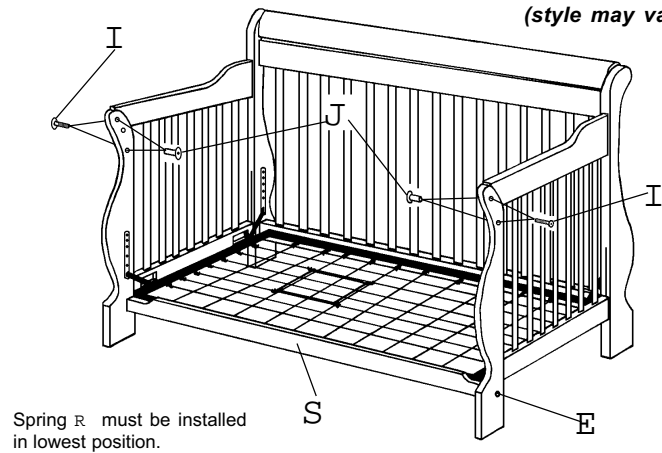
STEP 5 - DIAGRAM 4: SPRING INSTALLATION

Locate "Tabs" on Spring R and rotate Tabs upward. Position the four Tabs on Spring R to the desired height allowed by the threaded holes located on the 4-Position Spring Brackets G. Install a Hexhead Machine Screw B through each Spring Tab and into the selected threaded receiving hole on Spring Bracket G. Tighten Screws B with a 3/8" (10mm) wrench. Follow the same procedure when changing spring heights at a later date. Periodically check Hexhead Machine Screws B and tighten if needed.

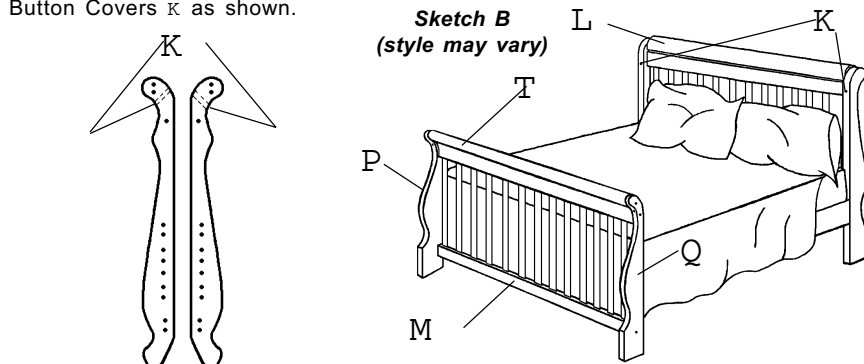
**DIRECTIONS FOR CONVERTING "CRIB" TO A "TODDLER BED"**

When use as a crib has been completed, you have the option to convert to a Toddler Bed for years of additional use in your child's room. Refer to **Step 4 - Diagram 3**. Remove Front Side M and Foot Top Dowel T. Install Crib Stretcher S as shown in **Sketch A**. Dowel on Stretcher S locates in top hole at bottom of Foot Post P & Q, then secure with K-D Bolt E and K-D Bolt Plug C shown installed. Install Insert Nut J and Allenhead Bolt I in holes near top of Foot Post P & Q as shown. Tighten Allenhead Bolt I with Allen Wrench A and Insert Nut J with Allen Wrench H. **Spring R must be installed in lowest position.** Store the removed parts and hardware in the event you wish to convert your Toddler Bed back to a crib.

Sketch A
(style may vary)

**DIRECTIONS FOR CONVERSION TO A "FULL SIZE HEADBOARD & FOOTBOARD"**

Disassemble crib by removing Spring R, Headboard N and Footboard O from Foot Posts P & Q, and Stationary Side L. You have the option to remove the 4-Position Spring Brackets G from the Footboard Posts P & Q if you desire, but **do not remove the factory installed brackets G on the Stationary Side L or any other items attached with wood screws**. Attach the Stationary Side and the Footboard Assembly to a "Hook-End" style full size bed frame (model 6444) at the desired height. The "Hooks" on the bed frame locate over the factory installed pins located in the slots in the Headboard and Footboard Assembly. Insert the Hole Button Covers K as shown.

**! WARNING**

NOTE: When using as a Toddler Bed the mattress must have minimum dimensions of 51-5/8 in. (1310mm) in length and 27-1/4 in. (690mm) in width and 4 in. (100mm) in thickness but not to exceed 6 in.

It is very important that the Stretcher S is used when converting to a Toddler Bed. Failure to install this part could result in serious injury or death.

When using as a Toddler bed, the minimum age shall not be less than 15 months and the maximum weight shall not be greater than 50 lb (22.7 kg).

MAINTENANCE OF YOUR CHILD CRAFT CRIB/TODDLER BED/FULL SIZE HEADBOARD & FOOTBOARD: Upon completion of assembly be sure all screws, bolts and fastening devices have been tightened securely. A frequent check should be made of all screws, bolts and fastening devices and tightened if needed. Before each usage or assembly, inspect crib for damaged hardware, loose joints, missing parts or sharp edges. **DO NOT** use crib if parts are missing or broken. Contact your Dealer or Child Craft (812) 883-3111, for a replacement part or instructional literature if needed. Include Model Identification Number with your request which you recorded on page 2 of these instructions. **DO NOT SUBSTITUTE PARTS. DO NOT MAKE ANY ALTERATIONS NOT DESCRIBED IN THESE ASSEMBLY DIRECTIONS.**

CLEANING INSTRUCTIONS FOR YOUR CHILD CRAFT CRIB/TODDLER BED/FULL SIZE HEADBOARD & FOOTBOARD: Mix together a mild solution of gentle dishwashing liquid and water, apply to surface using a soft clean cloth lightly dampened in the solution. Rinse with clear water again using a soft clean cloth, then dry all surfaces thoroughly with a soft dry cloth. **NO ABRASIVE CLEANERS, SCOURING PADS, STEEL WOOL, OR COARSE RAGS SHOULD BE USED TO CLEAN THIS FINE FURNITURE.**

STORAGE AND USE OF YOUR CHILD CRAFT CRIB/TODDLER BED/FULL SIZE HEADBOARD & FOOTBOARD: A printed plastic pouch is attached to the crib spring for the permanent storage of the assembly directions. After completing the assembly process you are advised to read and be aware of all **WARNINGS, CAUTIONS, CLEANING, STORAGE, USE AND MAINTENANCE** notices contained in this set of directions and printed on the plastic pouch located on the underneath side of the crib spring. You will then place the complete set of assembly directions into the plastic pouch for future referral by opening storage drawer. We caution you not to place excess hardware in the plastic pouch as it could present danger to a child if retrieved. When storing crib use **CAUTION** as extreme temperature or humidity changes could be harmful. Use **CAUTION** when a vaporizer is in use, always aim vapor stream away from crib as well as away from any wood furniture item.

WARNING

☞ FAILURE TO FOLLOW THESE WARNINGS AND ASSEMBLY INSTRUCTIONS COULD RESULT IN SERIOUS INJURY OR DEATH.

☞ READ ALL INSTRUCTIONS BEFORE ASSEMBLING CRIB. KEEP INSTRUCTIONS FOR FUTURE USE. A PLASTIC POUCH IS ATTACHED TO CRIB FOR PERMANENT STORAGE OF THE INSTRUCTIONAL LITERATURE.

☞ BEFORE EACH USAGE OR ASSEMBLY, INSPECT CRIB FOR DAMAGED HARDWARE, LOOSE JOINTS, MISSING PARTS OR SHARP EDGES. DO NOT USE CRIB IF ANY PARTS ARE MISSING OR BROKEN. ASK YOUR DEALER OR WRITE TO CHILD CRAFT, P.O. BOX 444, SALEM, IN 47167-0444 USA (812)-883-3111) FOR REPLACEMENT PARTS AND INSTRUCTIONAL LITERATURE IF NEEDED. INCLUDE MODEL IDENTIFICATION NUMBERS WITH YOUR REQUEST WHICH YOU RECORDED ON PAGE TWO. DO NOT SUBSTITUTE PARTS.

☞ AFTER RAISING SIDE, MAKE SURE LATCHES ARE SECURE. IF YOUR UNIT HAS A DROP SIDE.

☞ WHEN CHILD IS ABLE TO CLIMB OUT OR REACHES THE HEIGHT OF 35 INCHES (90 CENTIMETERS) THE CRIB SHALL NO LONGER BE USED.

☞ DO NOT PLACE CRIB NEAR WINDOW WHERE CORDS FROM BLINDS OR DRAPES MAY STRANGLE A CHILD.

☞ IF REFINISHING, USE A NON-TOXIC FINISH SPECIFIED FOR CHILDREN'S PRODUCTS.

☞ DO NOT LEAVE CHILD IN CRIB WITH SIDE LOWERED. BE SURE SIDE IS IN RAISED AND LOCKED POSITION WHENEVER CHILD IS IN CRIB.

☞ WHEN CHILD IS ABLE TO PULL TO STANDING POSITION, SET MATTRESS TO LOWEST POSITION AND REMOVE BUMPER PADS, LARGE TOYS AND OTHER OBJECTS THAT COULD SERVE AS STEPS FOR CLIMBING OUT.

☞ NEVER USE PLASTIC SHIPPING BAGS OR OTHER PLASTIC FILM AS MATTRESS COVERS BECAUSE THEY CAN CAUSE SUFFOCATION.

☞ DO NOT USE A WATER MATTRESS WITH THIS CRIB.

☞ REPLACE TEETHING RAIL(S) IF DAMAGED OR LOOSE. (IF EQUIPPED WITH TEETHING RAILS.)

☞ STRINGS CAN CAUSE STRANGULATION! DO NOT PLACE ITEMS WITH A STRING AROUND A CHILD'S NECK, SUCH AS HOOD STRINGS OR PACIFIER CORDS. DO NOT SUSPEND STRINGS OVER A CRIB OR ATTACH STRINGS TO TOYS.

☞ REMOVE ALL CRIB TOYS WHICH ARE STRUNG ACROSS CRIB AREA WHEN YOUR CHILD IS BEGINNING TO PUSH UP ON HANDS AND KNEES OR IS 5 MONTHS OF AGE, WHICHEVER OCCURS EARLIEST. THESE TOYS CAN CAUSE STRANGULATION.

☞ WHEN DISASSEMBLING THIS CRIB, DO NOT REMOVE ANY ITEM ATTACHED WITH WOOD SCREWS.

☞ ALWAYS ENSURE A SAFE ENVIRONMENT FOR THE CHILD BY CHECKING REGULARLY, BEFORE PLACING THE CHILD IN THE CRIB, THAT EVERY COMPONENT IS PROPERLY AND SECURELY IN PLACE.

CAUTION

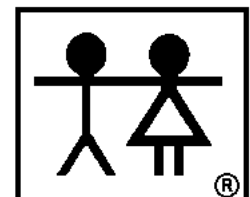
☞ ANY MATTRESS USED IN THIS CRIB MUST BE AT LEAST 27-1/4 INCHES (69 CENTIMETERS), BY 51-5/8 INCHES (131 CENTIMETERS), WITH A THICKNESS NOT EXCEEDING 6 INCHES (15 CENTIMETERS). THE DIMENSIONS OF THE MATTRESS SHALL BE TAKEN FROM SEAM TO SEAM OR EDGE TO EDGE WHERE APPROPRIATE.

☞ UPON COMPLETION OF ASSEMBLY BE SURE ALL SCREWS, BOLTS AND FASTENING DEVICES HAVE BEEN TIGHTENED SECURELY. A FREQUENT CHECK SHOULD BE MADE OF ALL SCREWS, BOLTS AND FASTENING DEVICES AND TIGHTEN IF NEEDED.

CCH01788:08/00

JCHE.p65

MADE IN USA



**CHILD CRAFT
INDUSTRIES, INC.**

P.O. BOX 444

SALEM, IN 47167-0444 USA

PH:812-883-3111

FAX:812-883-1819

<http://www.childcraftind.com>